

ANSI CLASS 125 CAST IRON OS&Y GATE VALVE

FIG. 272-CI-125

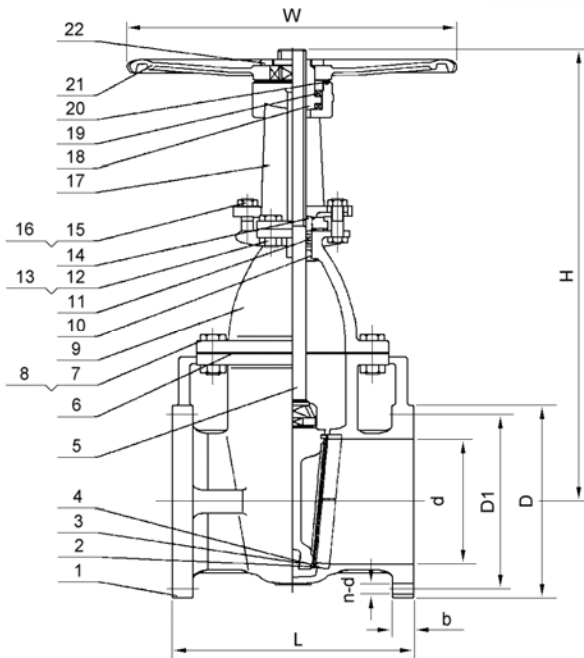
Class 125, Flanged ends, bolted bonnet, Cast Iron body & bonnet, Bronze trim.



Flange dimensions: ANSI B16.1
 Face-to-Face dimensions: ANSI B16.10
 Testing & Design: MSS-SP-70

Materials:

No.	Part Name	Specification
1	Body	ASTM A126B
2	Seat ring	ASTM B62
3	Wedge/disc	ASTM A126B
4	Wedge/disc ring	ASTM B62
5	Stem	ASTM B16
6	Bonnet gasket	Graphite & steel
7	Bonnet bolt	ASTM A307
8	Bonnet nut	Carbon steel
9	Bonnet	ASTM A126B
10	Back seat bushing	ASTM B16
11	Packing	Graphite
12	Yoke bolt	Carbon steel
13	Yoke nut	Carbon steel
14	Packing gland	ASTM A536
15	Packing gland bolt	Carbon steel
16	Packing gland nut	Carbon steel
17	Yoke	ASTM A126B
18	Stem nut	Mn-Brass
19	Stem nut bushing	ASTM A126B
20	Screw	Carbon steel
21	Handwheel	ASTM A126B
22	Handwheel nut	ASTM A536


Dimensions:

Size		L		D		D1		b		n-d	H (open)		W		Weight	
in	mm	in	mm	in	mm	in	mm	in	mm	in	in	mm	in	mm	lb	kg
2	50	7	178	6	152	4 ³ / ₄	121	5 ⁸ / ₁₆	15.9	4 - 3/4	12 9/16	319	7 ⁷ / ₈	200	42	19
2½	65	7½	190	7	178	5½	140	11/16	17.5	4 - 3/4	13 9/16	344	7 ⁷ / ₈	200	57	26
3	80	8	203	7½	190	6	152	3/4	19	4 - 3/4	15¼	387	7 ⁷ / ₈	200	70	32
4	100	9	229	9	229	7½	191	15/16	23.8	8 - 3/4	19 5/16	490	10	254	110	50
5	125	10	254	10	254	8½	216	15/16	23.8	8 - 7/8	22 11/16	576	11¾	298	156	70.9
6	150	10½	267	11	279	9½	241	1	25.4	8 - 7/8	26¾	679	11¾	298	194	88
8	200	11½	292	13½	343	11¼	298	1 1/8	28.6	8 - 7/8	31 13/16	808	13 ⁵ / ₈	346	299	136
10	250	13	330	16	406	14¼	362	1 3/16	30.2	12 - 1/8	39¾	1010	15¾	400	471	214
12	300	14	356	19	483	17	432	1¼	31.8	12 - 1/8	42½	1080	17¾	451	647	294
14	350	15	381	21	533	18¾	476	1 1/8	34.9	12 - 1/8	64 9/16	1640	19 ⁷ / ₈	505	990	450
16	400	16	406	23½	597	21¼	540	1 7/16	36.5	12 - 1/8	71	1803	21 ⁷ / ₈	556	1276	580
18	450	17	432	25	635	22¾	578	1 9/16	39.7	16 - 1/4	82¼	2089	24 ⁷ / ₈	613	1672	760
20	500	18	457	27½	699	25	635	1 11/16	42.9	20 - 1/4	98	2489	24 ⁷ / ₈	613	2057	935
24	600	20	508	32	813	29½	749	1 1/8	47.6	20 - 1/8	116½	2959	27½	699	2706	1230
30	750	24	610	38¾	984	36	914	2 1/8	54	28 - 1/8	131½	3340	27½	699	5522	2510
36	900	28	711	46	1168	42¾	1086	2 1/8	60.3	32 - 1/8	144¾	3680	31½	800	8756	3980